

Dimmable Electronic Ballast

Descriptions

Dimmer in arbitrary, energy saving, convenient control, safety, high stability, it widely used in different occasions commercial lamp, home lamp, industrial lamp, etc.

Highlights:

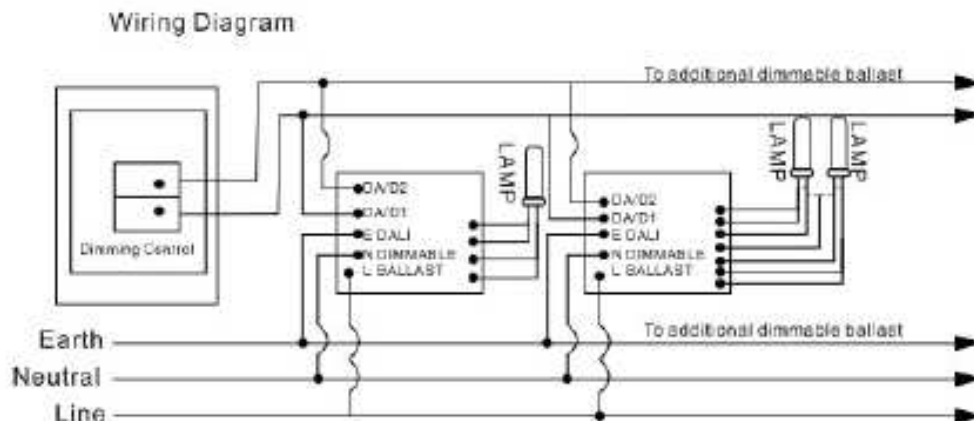
- Approved for lamps: TC-T/D 2X26/32/42W
- Lamp start at 1% possible, defined lamp friendly warm start within 1.5s with AC and 0.6s with DC
- Automatic lamp recognition for optimum operation with standardized data acc. to IEC
- PUSH-DIM, dimming and switching via push-button with memory function



Specifications

Parameter	Min.*	Nom.*	Max.	Unit
Number of lamps	2	-	2	-
Lamp power	26x2	-	42x2	W
Input power	59.2	-	92.4	W
Rated input voltage	100	230	277	V
AC input voltage range	90	-	304	V
DC input voltage range	150	-	304	V
Input frequency	0	50-60	-	Hz
Input current	0.49A@120V	0.40A@230V	0.33A@277V	A
Power factor	0.90	0.98	-	-
Operating frequency	40	-	120	KHz
Lamp current crest factor	-	-	1.7	-
THD	-	-	10%	-
Operating ambient temperature(@ta)	-20	-	50	C
Maximum case temperature(@tc)	-	-	75	C
Average service life	50.000	-	-	Hours

Wiring Diagram



Ballast has plug in wire trap connectors.
 Use 18 AWG solid copper wire(dia. 0.5-1.0mm²)
 Stripped to 5/16" (7.0-8.5MM)
 Ballast must be grounded. Use external ground wire