

# Air Differential Pressure Switches with on/off Output

## Descriptions

- On/off output
- Electrical rating 250 VAC
- Switching pressure easily adjusted with a scaled adjustment knob
- Static, over, underpressure and vacuum

### Ordering

Type no.	Adjustment range	Switching differential
PSN 20-200A	20-200Pa	10Pa
PSN 30-300A	30-300Pa	10Pa
PSN 40-400A	40-400Pa	20Pa

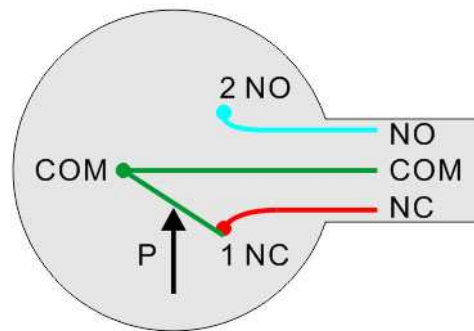
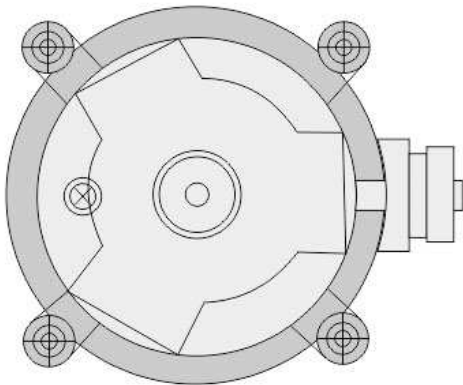
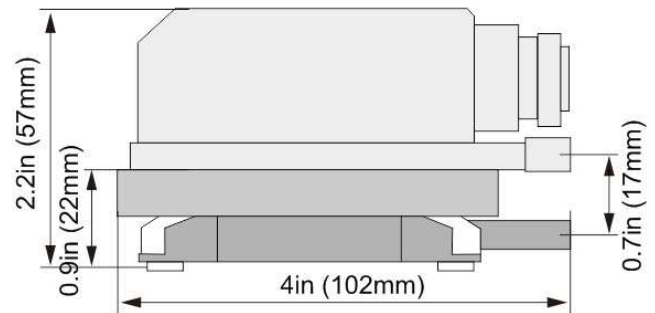
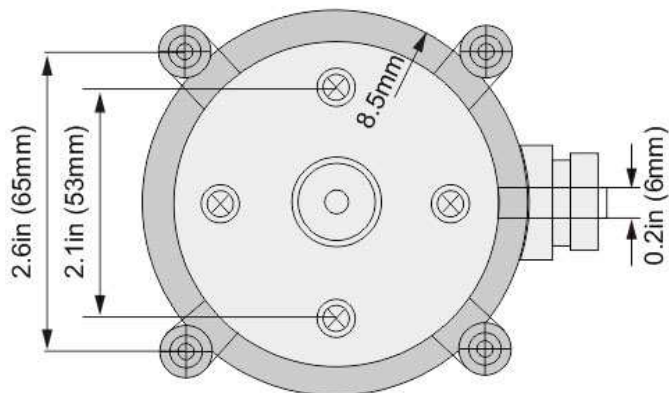


## Specifications

<b>Output</b>	on/off
<b>Max. operating pressure</b>	5 kPa
<b>Medium</b>	Air, non-combustible and non-aggressive gases
<b>Operating temp. range</b>	- 40°C to +85°C
<b>Pressure connections</b>	2 plastic pipe connection pieces (P1 and P2) external diameter 6.0 mm: P1 for connection to higher pressure (marked +) P2 for connection to lower pressure (marked -)
<b>Mounting position</b>	Diaphragm in any vertical plane
<b>Contact arrangement</b>	SPDT
<b>Tolerances</b>	15%
<b>Weight</b>	152g for the switch only; 260g for switch with duct fixing kit packed into a carton
<b>Electrical rating</b>	Resistance: initial < 400 milliohms Current: 1.5 A (0.4 A) / 250 V
<b>Protection</b>	IP 54
<b>Approvals</b>	CE approved

# Air Differential Pressure Switches with on/off Output

## Dimensions & Wiring Diagram



## Packaging & Duct Mounting Kit



All components are packaged in a nice plain white box for private labelling.



The duct mounting kit includes everything you need: 2 static pressure takeoff tubes made from sturdy flame retardant ABS, 2 meters of clear pvc tubing and 4 screws.