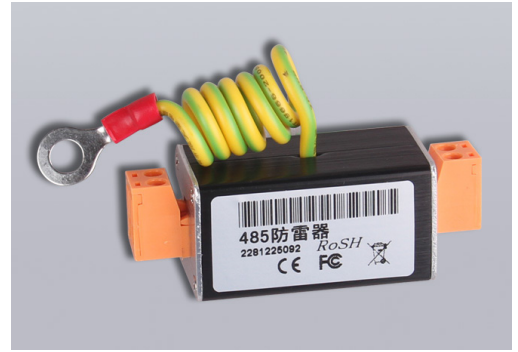


RS485 Lightning Protector

Description

RS485 Lightning Protector is used for lightning protection of data communication system, which can protect the four signal lines or two twisted pair line information, to provide high energy and low energy level to protect the coarse fine for the protection of the data line. It also provides fine differential mode protection and ground to common mode protection for 1, 2 and 3, 4 lines, and thus effectively absorb and transfer the energy impact caused by lightning and surge, and introduce the energy into the earth through the grounding cable, and ultimately protect the sensitive electronic equipment from being infringed.

It is used for all RS485 data or composite video signal transmission system over-voltage protection (such as monitoring system 485 PTZ, camera protection)



Highlights

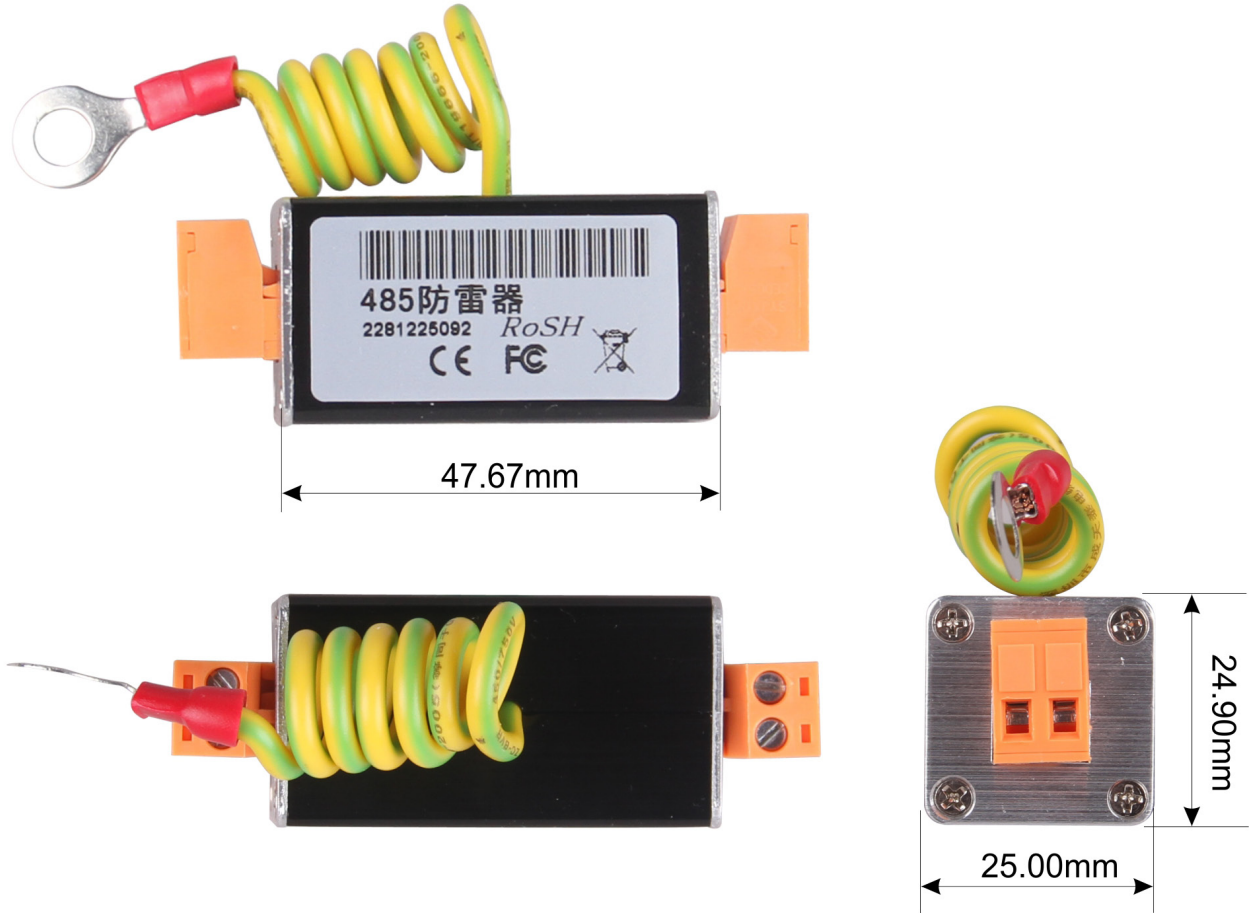
- Large flow capacity
- Multi-level protection
- High response speed
- Low insert loss

Specifications

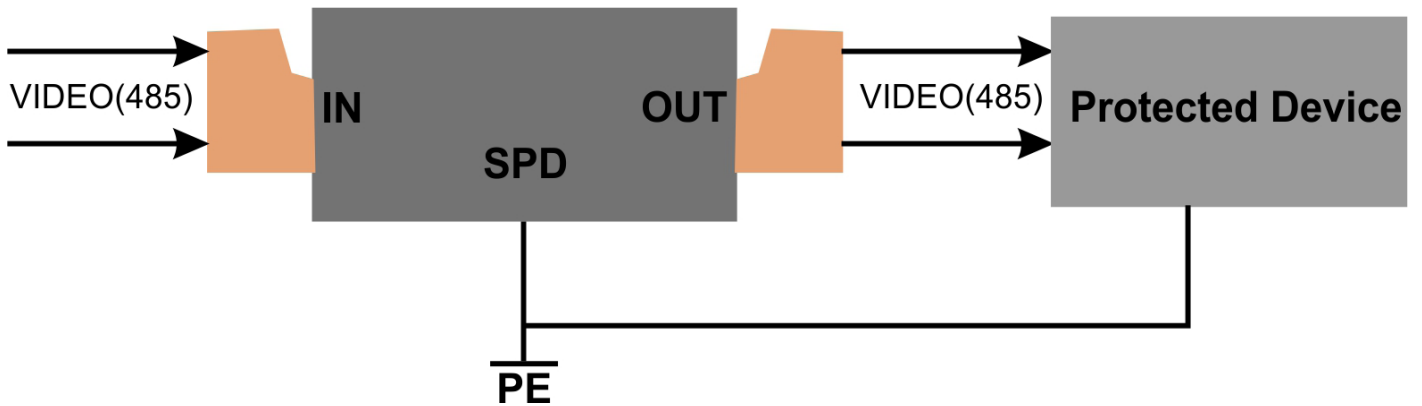
Interface	2*2-bit industrial terminal
Discharge voltage	7.8V
MCOV	5.5V
Response time	<0.5ns
Bandwidth	0-10M
Insert Loss	<0.2dB
Operating temperature	-60~+190°C
Size	65*25*25mm

RS485 Lightning Protector

Dimension



Wiring Diagram



Note:

IN is the input port ,which is connected to the transmission line, OUT is the output port,which is connected to the device to be protected. A protector is connected to signal output source device port and the input port of the protected device. The ground conductor and the ground bus of lightning protection system should be reliably connected.